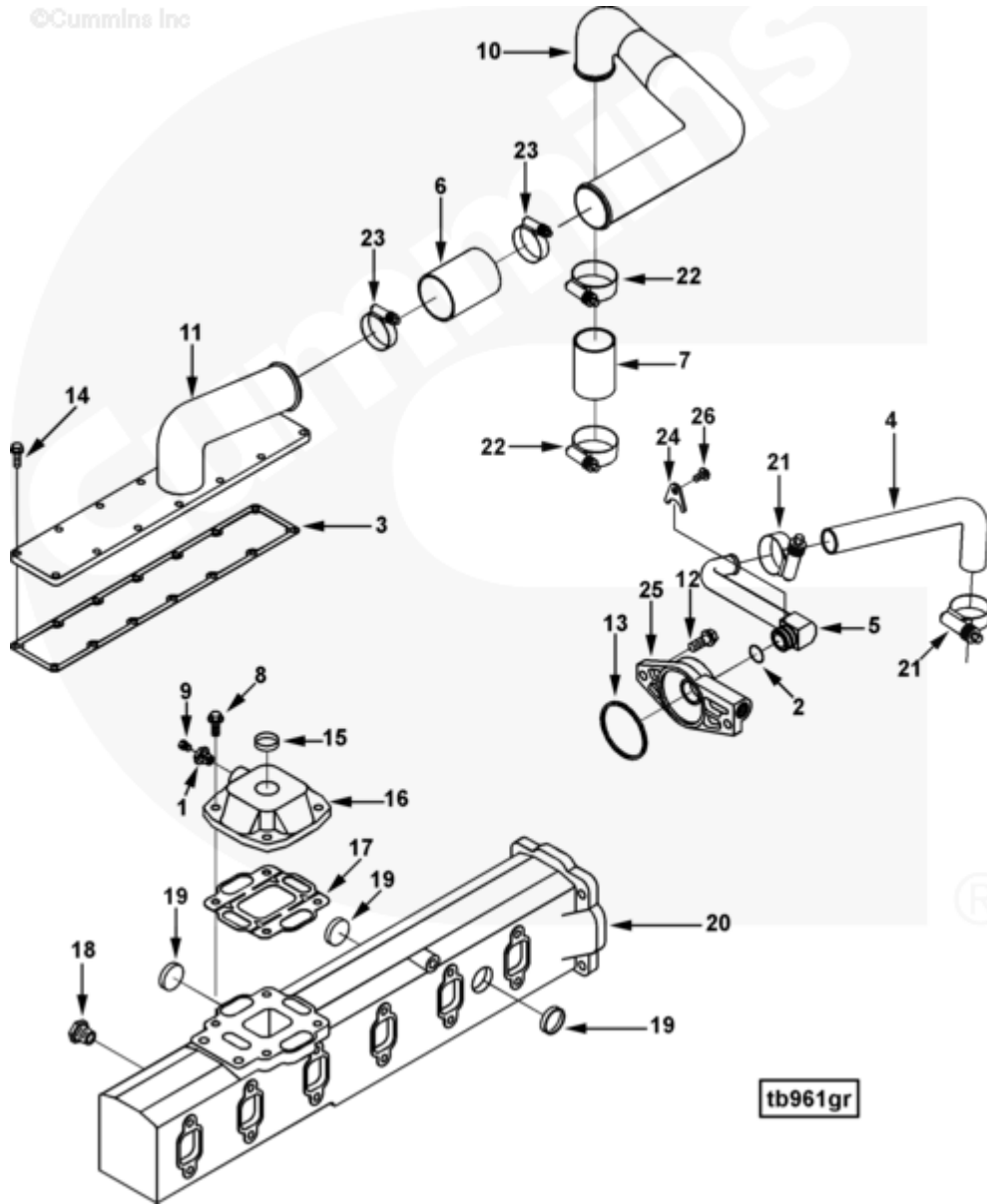




Parts Catalog - Option Detail

Electronic Parts Catalog - Option Detail				
Option	Group	Graphic	Film Card	Date
TB9266-09	10.06.1	tb961gr	T	19-JAN-97
Engines	4B3.9, 6A3.4, 6B5.9, B GAS INTERNATIONAL CM556, B4.5, B4.5 CM2350 B129B, B4.5 CM2350 B146C, B4.5 CM2350 B147B, B4.5 RGT, B4.5S, B5.9 G, B5.9 GAS PLUS CM556, B5.9 LPG, B5.9 LPG PLUS CM556, B6.7 CM2350 B121B, B6.7 CM2350 B135B, B6.7 CM2350 B136C, B6.7 CM2350 B148B, B6.7 G CMOH6.0 B125, B6.7N CM2380 B150B, B6.7S, F3.8 CM2350 F120B, F3.8 CM2350 F128C, F3.8 CM2350 F132B, F3.8 F102, G3.9, G5.9, G5.9 CM558, ISB (CHRYSLER), ISB CM2150, ISB CM2150 E, ISB CM550, ISB CM850, ISB/ISD4.5 CM2150 B119, ISB/ISD4.5 CM2150 SN, ISB/ISD6.7 CM2150 B120, ISB/ISD6.7 CM2150 SN, ISB/ISD6.7 CM2880 B126, ISB3.9 CM2220 B107, ISB4.5 CM2150, ISB5.9G CM2180, ISB6.7 2010 DCX PICKUP, ISB6.7 2013 DCX CHASSIS CAB, ISB6.7 CM2150 SQ, ISB6.7 CM2250, ISB6.7 CM2350 B101, ISB6.7 CM2350 B103, ISB6.7 CM2350 B142, ISB6.7 CM2670 B153B, ISB6.7 G CM2180 B118, ISBE CM2150, ISBE CM800, ISBE2/ISBE3 CM850, ISBE4 CM850, ISD4.5 CM2150, ISD6.7 CM2880 D101, ISF2.8 CM2220, ISF2.8 CM2220 AN, ISF2.8 CM2220 EC, ISF2.8 CM2220 ECF2, ISF2.8 CM2220 F101, ISF2.8 CM2220 F117, ISF2.8 CM2220 F122, ISF2.8 CM2220 F126, ISF2.8 CM2220 F129, ISF2.8 CM2220 IAN, ISF3.8 CM2220, ISF3.8 CM2220 AN, ISF3.8 CM2220 F103, ISF3.8 CM2220 F110, ISF3.8 CM2220 F116, ISF3.8 CM2220 F134B, ISF3.8 CM2220 IAN, ISF3.8 CM2350 F109, ISF4.5 CM2220 F123, ISG11 CM2880 G106, ISG11 CM2880 G108, ISG12 CM2880 G107, ISG12 CM2880 G109, ISG12 G CMOH6.0 G111, QSB3.9 30 CM550, QSB3.9 CM2880 B138, QSB4.5 30 CM550, QSB4.5 CM2150 B108, QSB4.5 CM2250 B131, QSB4.5 CM2250 EC, QSB4.5 CM2350 B106, QSB4.5 CM2350 B122			



SMALL | MEDIUM | LARGE

Cart	Ref No	Part Number	Part Description	Required	Remarks
View My Cart					
		TB9266-09	Turbocharger Location		Turbocharger Location...(More)
					Engine Family: B Series
					Cylinders: 6
					Exhaust Outlet Location:
					RMSO
					Turbo Exh Loc from FFOB (mm):
					591.2
					Exh Vert from Crank C/L (mm):
					226.7

					Exh Horz. Crank C/L (mm):
					234.8
					Aspiration: Turbocharged
					Oil Supply Routing: Outboard
					Exh. Manifold Type: Wet
					Intake Cover Provided: Yes
					Turbine Outlet Flange Type:
					Half Marmon
					Turbocharger Type: Non-
					Wastegate
					Structure Code: 02 EBM
					Cylinder Head Type: Standard
					Turbo Drain Location: Front
					drain
					Base Turbo ID17 Number:
					3533732.
<input type="checkbox"/>	1	S 931 C	Reducing Pipe Bushing	1	1/2 NPTF(Ext) X 1/8 NPTF(Int)
<input type="checkbox"/>	2	145530	O-Ring Seal	1	
<input type="checkbox"/>	3	3931347	Intake Manifold Cover Gasket	1	
<input type="checkbox"/>	4	3897077	Elbow Hose	1	
<input type="checkbox"/>	5	3897078	Water Transfer Tube	1	
<input type="checkbox"/>	6	3897502	Plain Hose	1	
<input type="checkbox"/>	7	3897503	Plain Hose	1	
<input type="checkbox"/>	8	3902460	Hexagon Flange Head Cap Screw	4	M10 X 1.50 X 25.
<input type="checkbox"/>	9	3906619	Pipe Plug	1	1/8 NPT.
<input type="checkbox"/>	10	3910331	Air Tube	1	
<input type="checkbox"/>	11	3910333	Intake Manifold Cover	1	
<input type="checkbox"/>	12	3910495	Hexagon Flange Head Cap Screw	2	M12 X 1.75 X 30.
<input type="checkbox"/>	13	3910530	Rectangular Ring Seal	1	

<input type="checkbox"/>	14	3918109	Hexagon Flange Head Cap Screw	12	M8 x 1.25 x 25
<input type="checkbox"/>		3920946	Water Transfer Connection	1	
<input type="checkbox"/>	15	3007636	Expansion Plug	1	
	16	3920945	Water Transfer Connection	1	
<input type="checkbox"/>	17	3921926	Turbocharger Gasket	1	
<input type="checkbox"/>		3922123	Exhaust Manifold	1	
<input type="checkbox"/>	18	S 982	Reducing Pipe Bushing	1	3/4 NPTF(Ext) X 1/2 NPTF(Int)
<input type="checkbox"/>	19	3908092	Expansion Plug	3	
<input type="checkbox"/>	20	3922122	Exhaust Manifold	1	
<input type="checkbox"/>	21	3922844	Hose Clamp	2	
<input type="checkbox"/>	22	3922848	Hose Clamp	2	
<input type="checkbox"/>	23	3922849	Hose Clamp	2	
<input type="checkbox"/>	24	3924933	Retaining Clamp	1	
<input type="checkbox"/>	25	3924937	Water Transfer Connection	1	
<input type="checkbox"/>	26	3925883	Hexagon Flange Head Cap Screw	2	M8 X 1.25 X 16